

DA-927A DA-928A

**Twin Needle /
Three Needle Feed Off the Arm Double Chain Stitcher**

Minimum lubrication system can be realizing clean sewing.
Narrow cylinder bed feed off-the-arm double chain stitchers.
Ideal for a wide range of materials from shirts to jeans.

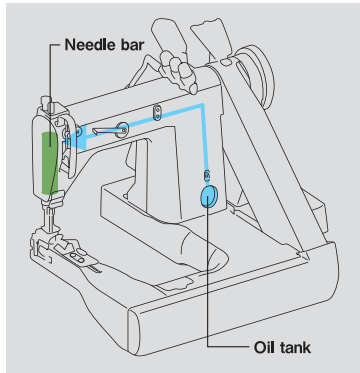
- Clean Sewing with Minimum Lubrication System
- A New Knife with Highly Safe Shape
- Beautiful Sewing Finishes with New Presser Mechanism



Quality & Clean

1 Minimum lubrication system can be realizing clean sewing

Minimum lubrication system supplies limited oil only to the needle bar and the upper shaft realizing clean sewing for your valued products.



2 A new knife with highly safe shape

Sewing work can be done safely with a new knife with highly safe shape.



3 Improved presser foot mechanism offers high quality sewing. *DA928A

Lightened presser foot mechanism prevents uneven material feeding, meeting the highest quality standard and the follow-up ability with respect to the presser foot pressure has been improved by 20%.

Specifications/



DA-927A-

Applications	
1	Light materials
2	Light-medium materials
3	Medium materials



DA-928A-

Applications	
5	Heavy materials
7	Extra heavy materials

Model	DA-927A			DA-928A	
	-1	-2	-3	-5	-7
Applications	Light materials	Light-medium materials	Medium materials	Heavy materials	Extra heavy materials
Lubrication type	Minimum lubrication				
Max. sewing speed	4,000sti/min ^{*1}				
Max. stitch length	3.8mm			4.7mm	
Height of presser foot	10mm			11mm	
Needle bar stroke	30mm			35mm	
Needle	Organ TVX64NY			Schmetz TVX5	
	#12	#14	#16	#130	#140
Needle gauge	2-needles		'3/16	'3/16	'3/16
	3-needles		'1/4	-	'1/4
Height of feed dog	1.0mm			1.3mm	
Weight	49kg				
Size	465mm × 500mm × 340mm				
Outer perimeter of cylinder	171mm				
Presser foot presser	39.2~78.4N (4~8kgf)			58.8~98N (6~10kgf)	

*1 If thread breakage occurred during sewing of DA-928A, please lower the speed.



Facebook

RoHS Compliant

DA-927A, DA-928A is compliant with the RoHS Directive (the restriction of the use of certain hazardous substances in electrical and electronic equipment) which came into effect in the EU in July 2006.



Brother has established voluntary environmental standards for products and created the "Brother Green Label". DA-927A, DA-928A is certified as an environment-conscious sewing machine according to the "Brother Green Label" standard.



Working with you for a better environment
www.brotherearth.com

CHINA
ASIA

BROTHER MACHINERY SHANGHAI LTD.
BROTHER MACHINERY (ASIA) LTD.

<http://www.brother.cn/>

+86-21-3135-3355

<http://www.brother.com.hk/>

+852-2777-0010

EUROPE AFRICA, MIDDLE EAST
AMERICAS

BROTHER INTERNATIONALE INDUSTRIEMASCHINEN GmbH
BROTHER INTERNATIONAL CORPORATION

<http://www.brother-ism.com/>

+49-2822-6090

<http://www.brother-usa.com/>

+1-908-704-1700



BROTHER INDUSTRIES, LTD.

1-5, Kitajizoyama, Noda-cho, Kariya-shi, Aichi 448-0803, Japan.
Phone: 81-566-95-0088 Fax: 81-566-25-3721 <http://www.brother.com/>